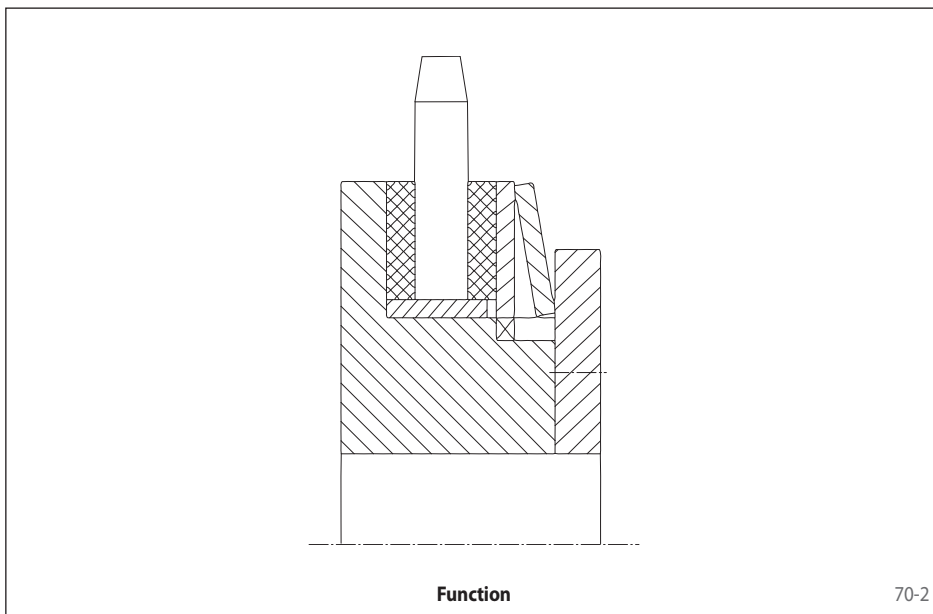


70-1

Advantages

- Cost effective, simple Torque Limiter
- Adjustment option for pad wear
- 12 Sizes for slipping torques from 0,5 Nm to 10000 Nm



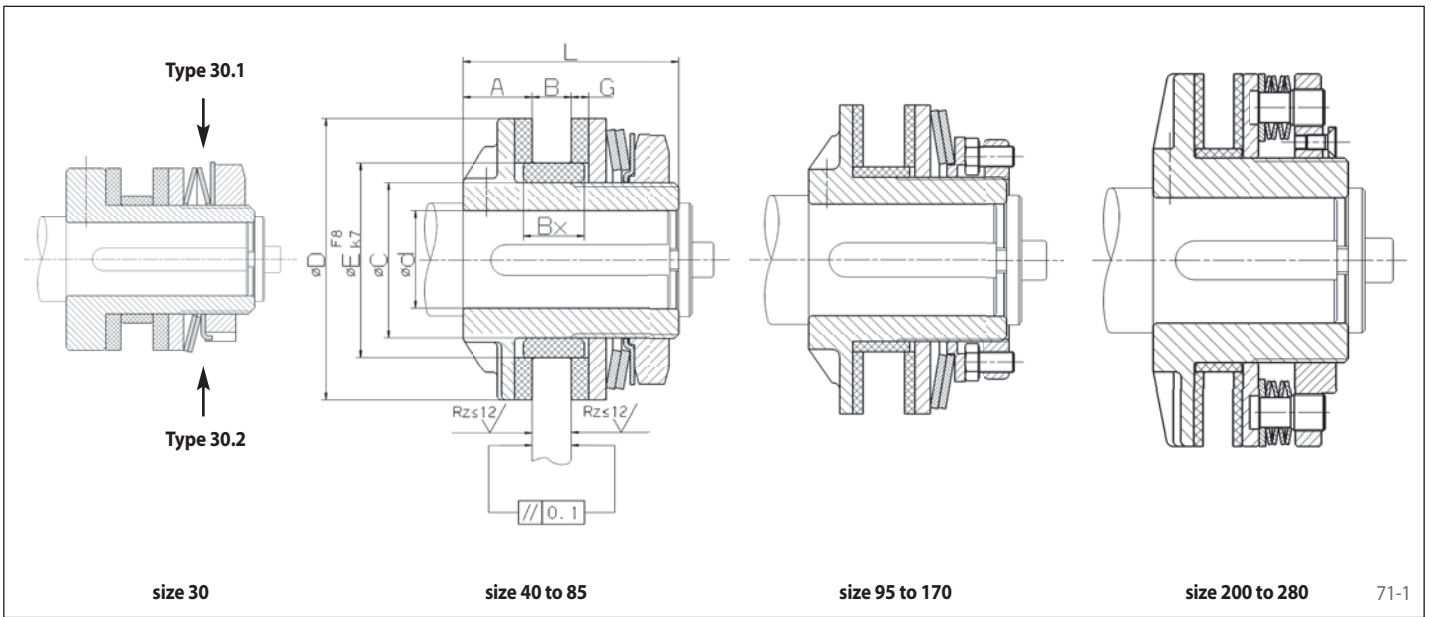
70-2

The Belleville Spring Principle

Belleville springs produce the contact force on the friction linings. Because of the Belleville spring torque limiters' steep characteristic of the contact force the spring preload needs to be readjusted when the friction linings become worn. Belleville spring Torque Limiters are therefore preferred in applications where slipping periods are short and infrequent.

Function

- When the preset slipping torque has been reached the built-in component (e. g. chain wheel) slips.
- During the slipping process, input and output rotate relative to each other and the preset slipping torque continues to be transmitted.
- Inherent in the slipping process is a high energy consumption.
- Re-engagement is not necessary.



Technical Data and Dimensions

Type	Art.-No.	Slipping torque Nm	Max. speed min ⁻¹	Bore d ^{H7}			A mm	B max. mm	B _x ³⁾ mm	C mm	D mm	E mm	L mm	G mm
				min. ¹⁾ mm	max. ¹⁾ mm	max. ²⁾ mm								
RT 30.1	4476-003001	0,5 - 5	1500	5,5	11	12	9,0	6	6	18	30	21	31	2,5
RT 30.2	4476-003002	1,0 - 10	1500	5,5	11	12	9,0	6	6	18	30	21	31	2,5
RT 40.1	4476-004001	5 - 15	800	8	14	16	8,0	7	8	22	40	26	28	2,8
RT 40.2	4476-004002	8 - 28	800	8	14	16	8,0	7	8	22	40	26	28	2,8
RT 40.3	4476-004003	12 - 40	800	8	14	16	8,0	7	8	22	40	26	28	2,8
RT 45.1	4476-004501	9 - 30	700	8	20	22	8,5	8	9	32	45	35	33	3,0
RT 45.2	4476-004502	14 - 55	700	8	20	22	8,5	8	9	32	45	35	33	3,0
RT 45.3	4476-004503	15 - 70	700	8	20	22	8,5	8	9	32	45	35	33	3,0
RT 65.1	4476-006501	20 - 70	700	11	22	25	16,0	13	14	36	65	45	50	4,0
RT 65.2	4476-006502	32 - 120	700	11	22	25	16,0	13	14	36	65	45	50	4,0
RT 85.1	4476-008501	16 - 130	600	16	30	30	17,0	15	16	42	85	52	55	4,0
RT 85.2	4476-008502	26 - 240	600	16	30	30	17,0	15	16	42	85	52	55	4,0
RT 95.1	4476-009501	22 - 190	600	16	35	38	18,0	15	16	52	95	60	66	4,0
RT 95.2	4476-009502	32 - 340	600	16	35	38	18,0	15	16	52	95	60	66	4,0
RT 120.1	4476-012001	25 - 350	500	21	45	48	21,0	20	21	64	120	73	77	4,0
RT 120.2	4476-012002	48 - 650	500	21	45	48	21,0	20	21	64	120	73	77	4,0
RT 140.1	4476-014001	110 - 650	400	21	60	60	23,0	20	22	85	140	90	86	4,0
RT 140.2	4476-014002	125 - 1200	400	21	60	60	23,0	20	22	85	140	90	86	4,0
RT 170.1	4476-017001	80 - 1000	350	29	65	70	26,5	20	24	90	170	100	93	4,6
RT 170.2	4476-017002	200 - 1800	350	29	65	70	26,5	20	24	90	170	100	93	4,6
RT 200.1	4476-020001	636 - 2200	250	37	80	80	27,0	20	24	110	200	120	105	5,0
RT 200.2	4476-020002	890 - 4000	250	37	80	80	27,0	20	24	110	200	120	105	5,0
RT 254.1	4476-025401	1145 - 3800	200	50	90	100	33,0	29	32	125	254	140	120	5,0
RT 254.2	4476-025402	2067 - 6800	200	50	90	100	33,0	29	32	125	254	140	120	5,0
RT 280.1	4476-028001	1510 - 5500	180	50	120	120	33,0	29	32	155	280	170	120	5,0
RT 280.2	4476-028002	2544 - 10000	180	50	120	120	33,0	29	32	155	280	170	120	5,0

¹⁾ Keyway as per DIN 6885, page 1 · Tolerance of keyway width P9

²⁾ Keyway as per DIN 6885, page 3 · Tolerance of keyway width P9

³⁾ If B+G+1,5 mm > B_x than use 2 bearings bushes (does not apply to RT 30.X).

Supply

Unless specified otherwise, the Torque Limiters are supplied with a pilot bore, including plain bearing and friction linings.

Accessories

- All sizes available with chain wheel

Please specify when ordering

- Type of Torque Limiter
- Diameter d, if finish bore is requested