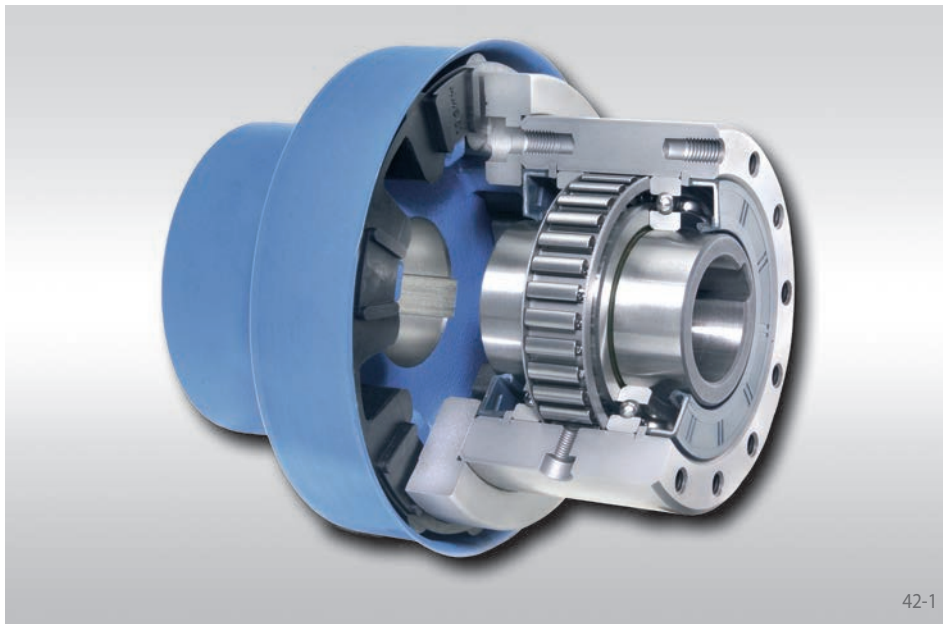


Complete Freewheels FBE

with shaft coupling for small shaft misalignments
with sprags, available in three types



Application as

▶ Overrunning Clutch

Features

Complete Freewheels FBE with flexible shaft coupling are sealed sprag freewheels with ball bearings for coupling two aligned shafts. They are supplied oil-filled and ready for installation.

In addition to the standard type, two other types are available for extended service life.

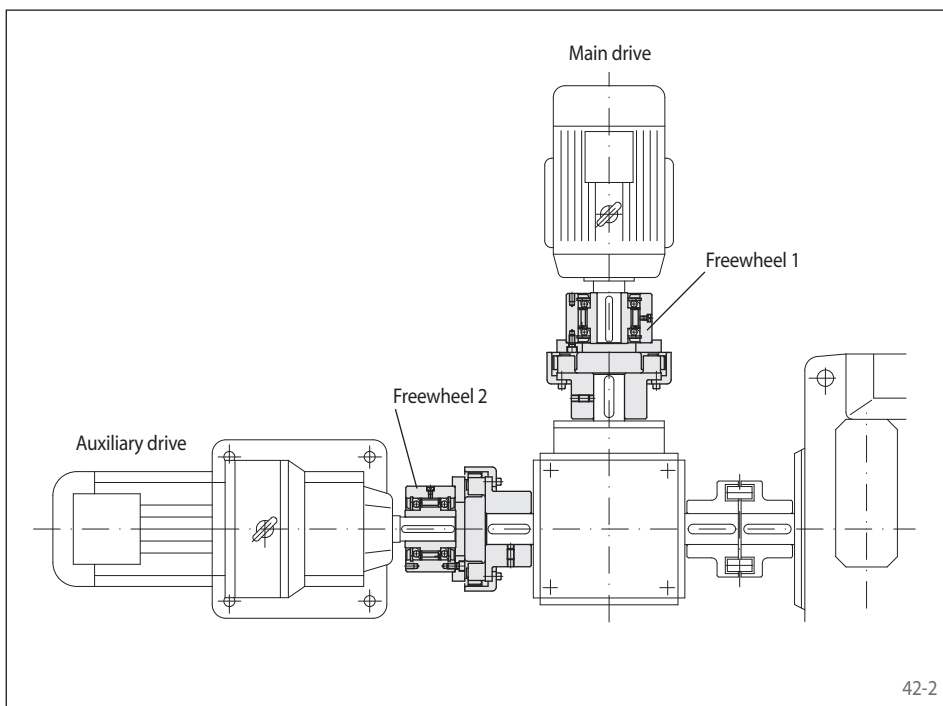
Nominal torques up to 160 000 Nm.

Bores up to 300 mm. Many standard bores are available.

The material of the flexible coupling element is oil-resistant. We can provide you with performance data for the flexible shaft coupling upon request.

Application example

Two Complete Freewheels FBE 72 with shaft coupling as an overrunning clutch in the drive unit of a tube mill with additional auxiliary drive. A freewheel FBE 72 SF, standard type (freewheel 1) is arranged between the main drive and the angular gear. However, a freewheel FBE 72 LZ, type with sprag lift-off Z (freewheel 2) is arranged between the auxiliary drive and the angular gear. If the gear motor is driving in the auxiliary power mode, freewheel 2 works in driving operation and freewheel 1 overruns at a low speed (freewheeling operation). When driving via the main motor, the unit is driven via freewheel 1 (driving operation). Freewheel 2 overruns and automatically disengages the auxiliary drive (freewheeling operation). With the high speed, the type with sprag lift-off Z is used; the sprags work in freewheeling operation without contact and hence are wear-free.



Mounting

The shaft coupling including the fastening screws are supplied loose. Depending on the desired freewheeling direction, the shaft coupling can be fitted on the right or the left of the freewheel.

The tolerance of the shaft must be ISO h6 or j6.

Example for ordering

Freewheel size FBE 107, standard type with 60 mm bore in the freewheel and 55 mm bore in the shaft coupling:

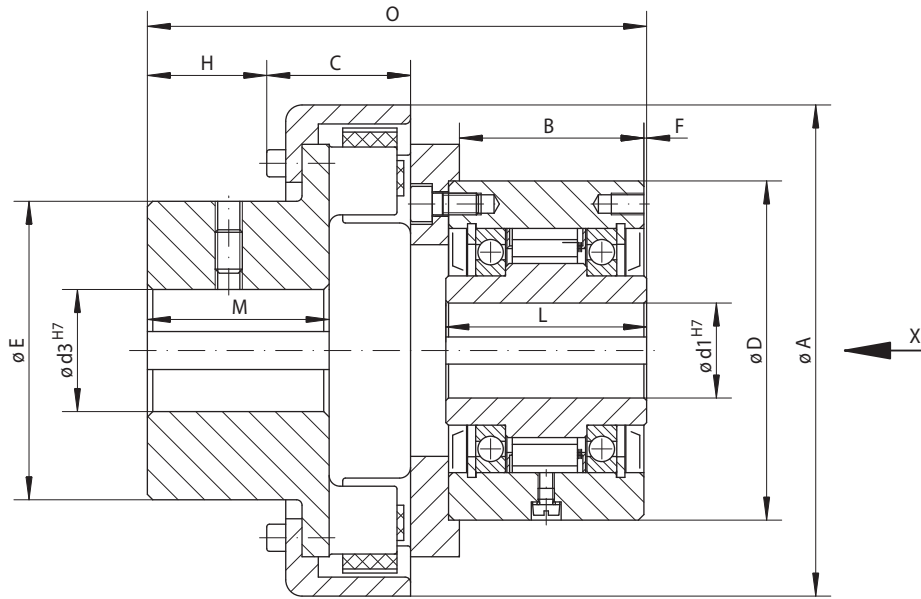
- FBE 107 SF, d1 = 60 mm, d3 = 55 mm

When ordering freewheel size FBE 340 and FBE 440, please also specify the freewheeling direction of the inner ring when viewed in direction X:

- counterclockwise free or
- clockwise free

Complete Freewheels FBE

with shaft coupling for small shaft misalignments
with sprags, available in three types



43-1

Overrunning Clutch	Standard type For universal use	Type with RIDUVIT® For extended service life with coated sprags	Type with Sprag lift-off Z For extended service life using sprag lift-off at high speed rotating outer ring

Freewheel Size	Type	Nominal Torque M_N Nm	Max. speed		Type	Nominal Torque M_N Nm	Max. speed		Type	Nominal Torque M_N Nm	Sprag lift-off at outer ring speed min^{-1}	Max. speed	
			Inner ring overruns min^{-1}	Outer ring overruns min^{-1}			Inner ring overruns min^{-1}	Outer ring overruns min^{-1}				Outer ring overruns min^{-1}	Inner ring drives min^{-1}
FBE 24	CF	45	4800	5000	CFT	45	4800	5000					
FBE 29	CF	80	3500	4000	CFT	80	3500	4000					
FBE 37	SF	200	2500	2600	SFT	200	2500	2600	CZ	110	850	3000	340
FBE 44	SF	320	1900	2200	SFT	320	1900	2200	CZ	180	800	2600	320
FBE 57	SF	630	1400	1750	SFT	630	1400	1750	LZ	430	1400	2100	560
FBE 72	SF	1250	1120	1600	SFT	1250	1120	1600	LZ	760	1220	1800	488
FBE 82	SF	1800	1025	1450	SFT	1800	1025	1450	SFZ	1700	1450	1600	580
FBE 107	SF	2500	880	1250	SFT	2500	880	1250	SFZ	2500	1300	1350	520
FBE 127	SF	5000	800	1150	SFT	5000	800	1150	SFZ	5000	1200	1200	480
FBE 140	SF	10000	750	1100	SFT	10000	750	1100	SFZ	10000	950	1150	380
FBE 200	SF	20000	630	900	SFT	20000	630	900	SFZ	20000	680	900	272
FBE 270	SF	40000	510	750	SFT	40000	510	750	SFZ	37500	600	750	240
FBE 340	SF	80000	460	630	SFT	80000	460	630					
FBE 440	SF	160000	400	550	SFT	160000	400	550					

The maximum transmissible torque is 2 times the specified nominal torque. See page 14 for determination of selection torque.

Freewheel Size	Bore d1		Bore d3			A	B	C	D	E	F	H	L	M	O	Weight
	Standard mm	max. mm	Standard mm	min. mm	max. mm											
FBE 24	12	14*	35	10	35	77	45	30	62	55	1,0	28	50	40	114,0	1,7
FBE 29	15	17*	40	10	40	90	47	33	68	65	1,0	32	52	45	123,0	2,4
FBE 37	20	22*	20	10	45	114	44	37	75	72	0,5	28	48	48	122,5	3,1
FBE 44	25*	25*	38	10	50	127	45	36	90	78	0,5	31	50	52	129,5	4,3
FBE 57	30	32*	30	20	60	158	60	48	100	96	0,5	39	65	61	162,5	7,3
FBE 72	40	42*	50	20	70	181	68	53	125	110	1,0	44	74	67	184,0	11,6
FBE 82	50*	50*	50	25	75	202	67	64	135	120	2,0	46	75	75	200,0	15,4
FBE 107	60	65*	60	30	80	230	81	75	170	130	2,5	48	90	82	230,0	24,9
FBE 127	70	75*	100	45	100	294	102	97	200	160	3,0	56	112	97	288,0	47,3
FBE 140	90	95*	90	60	120	330	135	100	250	200	5,0	80	150	116	350,0	93,3
FBE 200	120	120	120	85	160	432	143	141	300	255	5,0	104	160	160	408,0	169,0
FBE 270	140	150	180		180	553	190	197	400	300	6,0	145	212	230	512,0	320,0
FBE 340	180	240	100		235	725	240	235	500	390	7,5	173	265	285	637,5	580,0
FBE 440	220	300	100		265	832	290	247	630	435	7,5	183	315	310	737,5	1206,0

For bore d1: Keyway according to DIN 6885, page 1 • Keyway width tolerance JS10. * Keyway according to DIN 6885, page 3 • Keyway width tolerance JS10.

For bore d3: Keyway according to DIN 6885, page 1 • Keyway width tolerance P9