

## Friction Block Wear Control

### Function

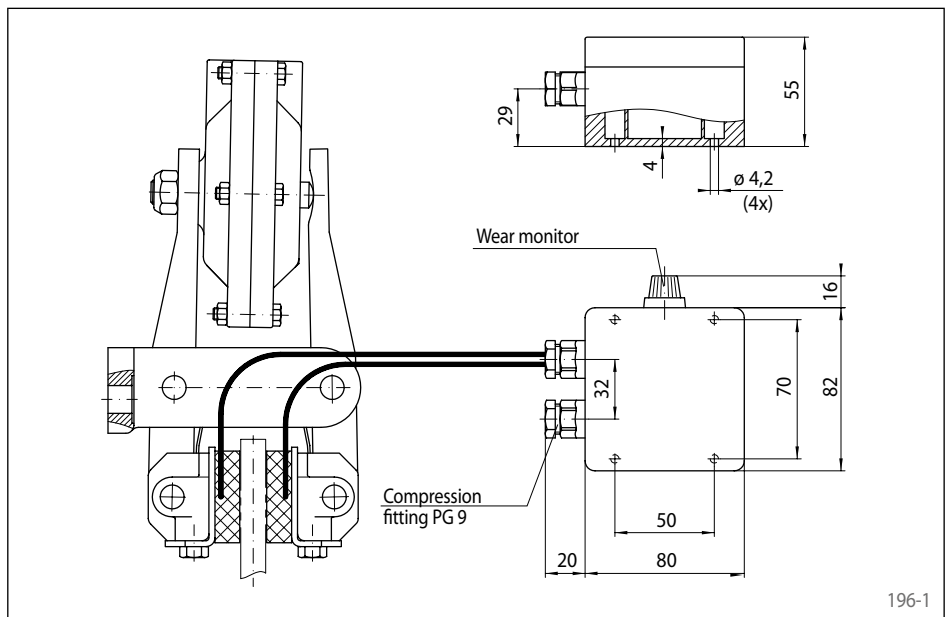
All brakes can be supplied on request with an electrical wear indicator which signals the limit of the friction block wear. The control lamp in the wear monitor indicates when the friction blocks need to be replaced. In addition, the output relay can trigger a signal in the central control station.

### Friction Blocks with Signal Cable

Friction blocks with signal cable are used to monitor wear. Cable length 25 cm with plug connection.

### Wear indicator

Housing: Makrolon  
 Insulation: IP 65  
 Colour: Grey, RAL 7035  
 Temperature range: -50° C to 60° C  
 Output: Relay 6A / 230 V AC



196-1

Article Number for supply voltage	
24 V DC	230 V AC, 50 Hz
3511-000001-B024VG	3511-000001-B220VW

## Universal Transformer

The Universal Transformer is used to operate a DH 012 FEM or DV 020 FEM Brake Caliper.

Output: 0,25 kVA

Primary voltages:

200 V, 220 V, 240 V, 260 V, 280 V, 300 V, 310 V, 330 V, 350 V, 360 V, 380 V, 400 V, 420 V, 440 V, 480 V, 500 V, 530 V and 550 V

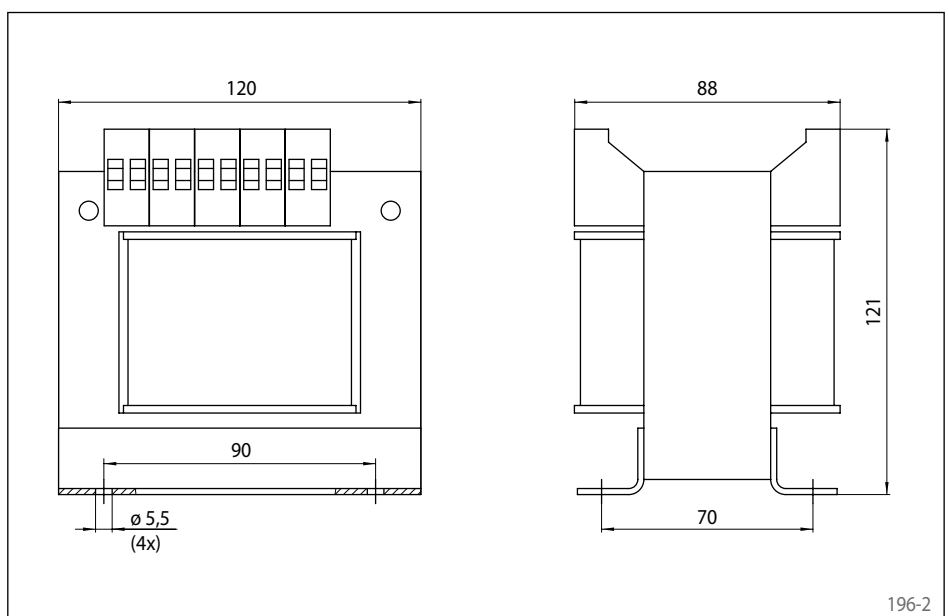
Secondary voltages:

115 V or 230 V

The Universal Transformer is manufactured in accordance with EN 61558 / VDE 0570:

- Clamps in accordance with VDGB-4
- Insulation class T40/E
- Safety class 1

Article Number: 3503-000001-000000



196-2