



42-1

The development of this throttle operation is unique, because the throttle cable is fully integrated into the pedal.

That means:

- The throttle cable is operated from inside the pedal
- No additional spatial requirement underneath the vehicle or the cabin floor
- No large breakthroughs necessary, only a simple hole pattern for 3 screws and the sealing plugs

## Features

### Pedal:

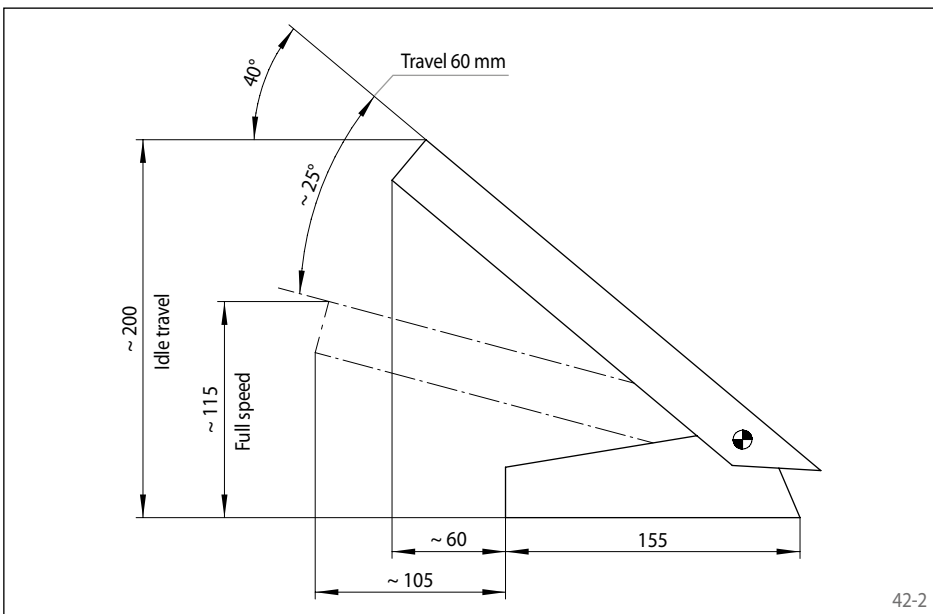
- Pedal angle continuously adjustable
- Robust steel sheet metal design, corrosion protected by black surface treatment
- Slip-proof pedal rubber on the tread surface

### Cable:

- Smooth operating throttle cable with high efficiency, particularly suitable also for large lengths
- Optimal assembly thanks to small bend radius of min. 51 mm
- Pulling loads of max. 450 N
- Can be employed at temperatures from -50 °C to +90 °C (short term +150 °C)
- Throttle cable travel can be adjusted continuously between 20 mm - 60 mm

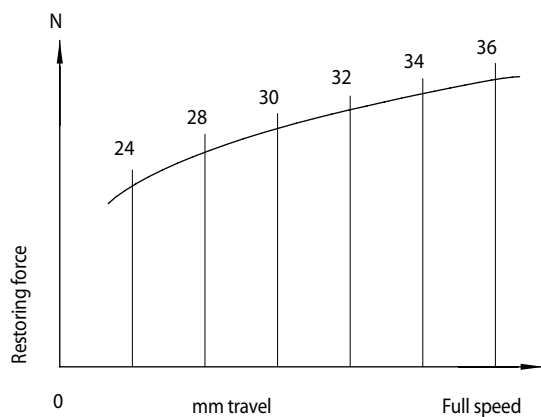
### General information:

- A variety of end part variations for connection to the engine
- System-oriented accessories range
- Available for higher temperature upon request



42-2

## Restoring force

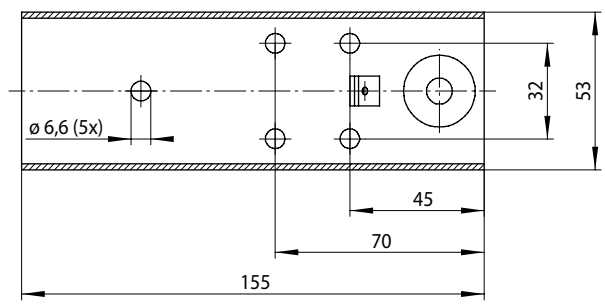
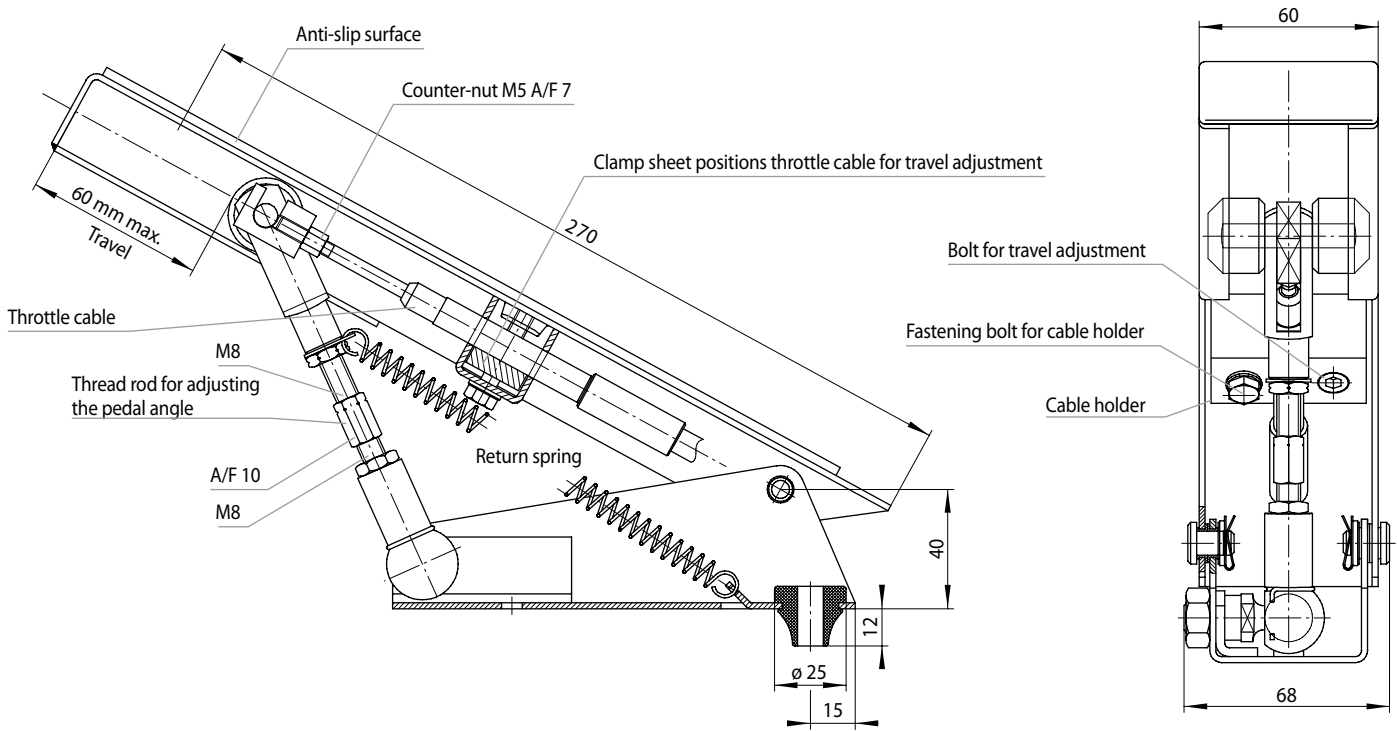


42-3

Art.-No.:	Cable outlet:
4569-000023	below
4569-000024	rear

# Throttle pedals

for pull only cable 283-U-GAS/... and 283-V-GAS/...

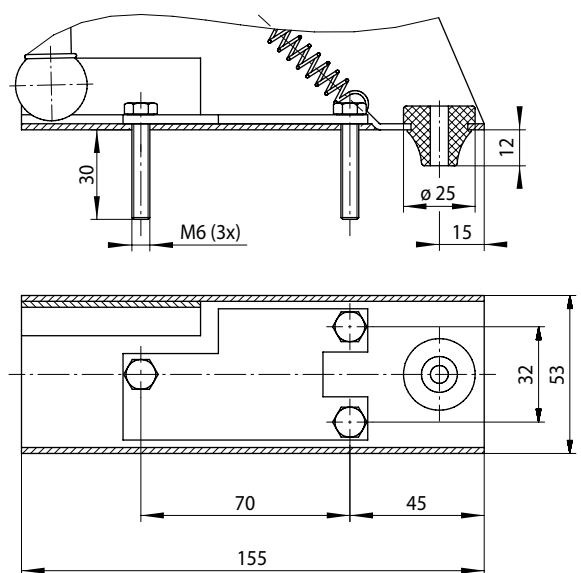


43-1

## Assembly plate

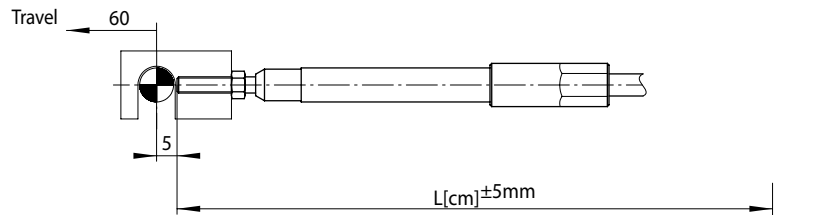
For easy screwing through the vehicle floor.

Art.-No.: 3570-000014

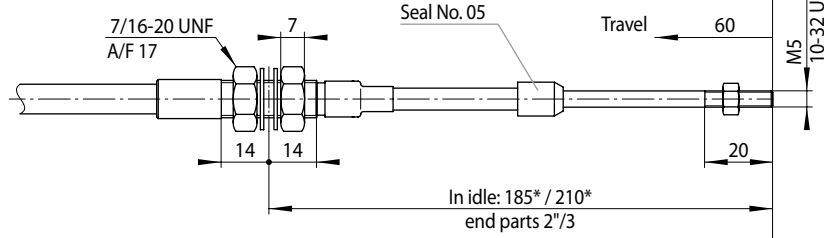


43-2

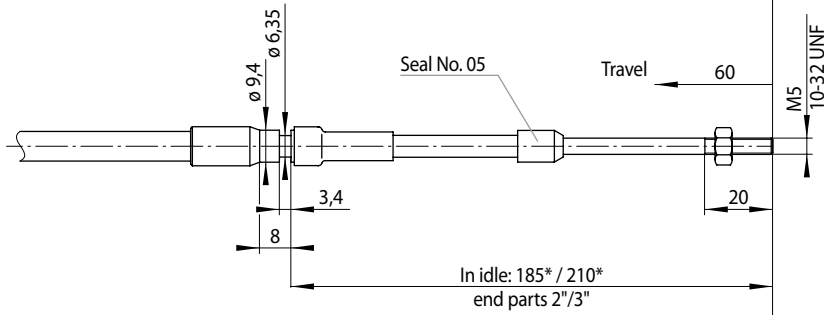
### Pedal connection GAS:



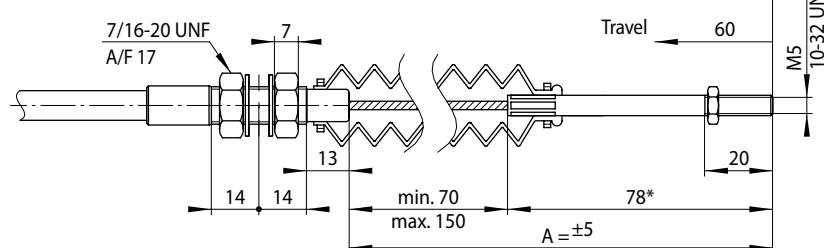
### Motor connection T05M:



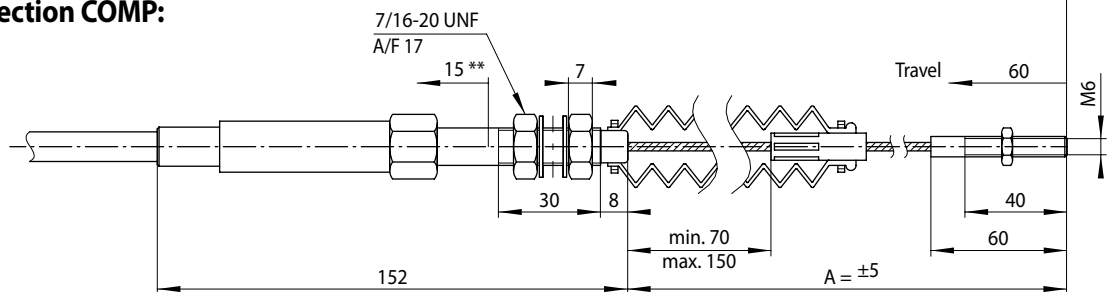
### Motor connection G05M:



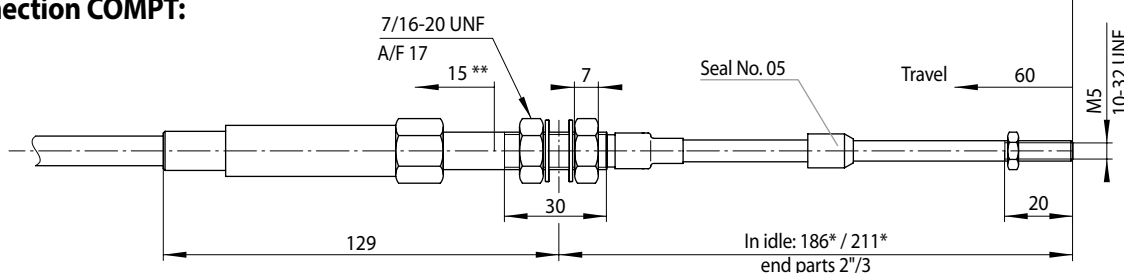
### Motor connection T00M:



### Motor connection COMP:



### Motor connection COMPT:



\* Other lengths, threads and motor connections available upon request • \*\* Compensated excess travel and exceeding the max. pull force

