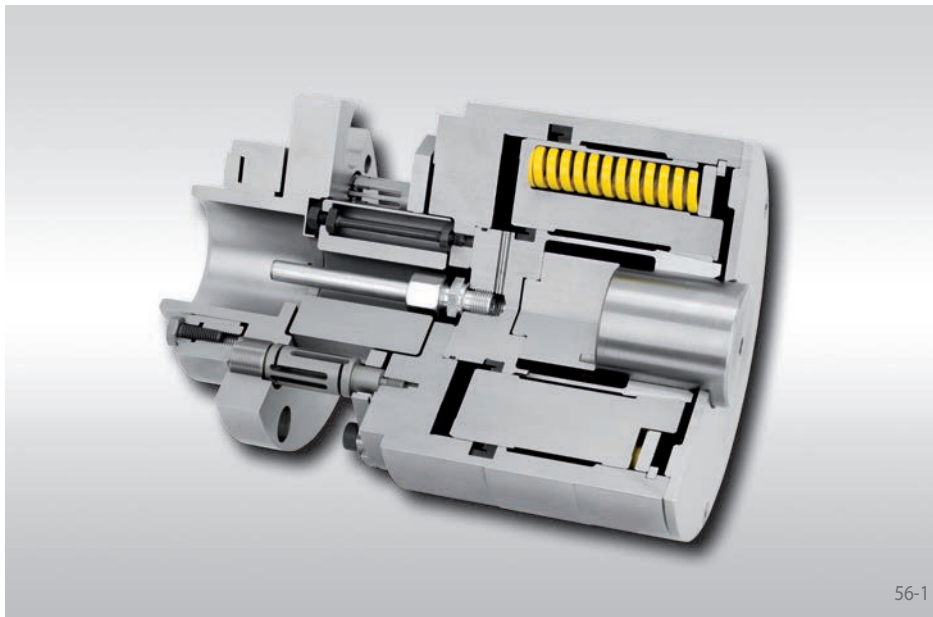


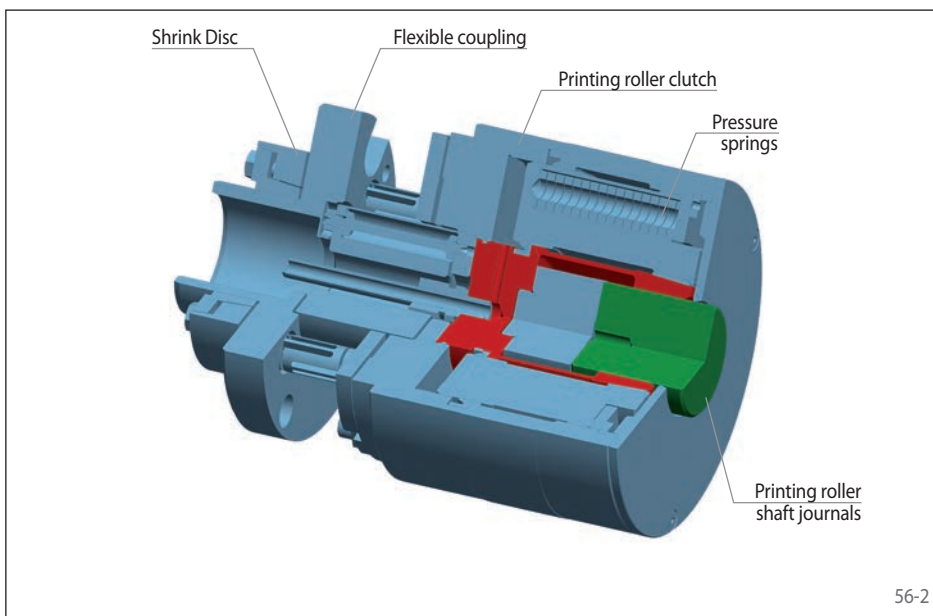
# Clamping Clutches SKDZ

for printing rollers in printing presses  
spring activated - pneumatically released



## Features

- For clamping diameters from 40 mm to 70 mm
- High true running accuracy
- High torsional rigidity
- High axial rigidity
- Extended insertion depth
- Compensation up to 0,5 mm for radial misalignment
- Compensation for angular misalignment



## Configuration

The Clamping Clutch for printing rollers in printing presses consists of the printing roller clutch, a flexible coupling connected by a Shrink Disc to the output shaft of gear. The flexible coupling compensates for radial and angular misalignment vis-à-vis the position of the printing roller while maintaining the torsional and axial rigidity required to ensure acceptable printing quality.

The printing roller clutch is released by pneumatic pressure. When it is released, the printing roller is engaged. When pneumatic pressure is removed, the printing roller clutch closes and clamps the printing roller shaft journal without pull-back action. The printing roller clutch is aligned with the axis of the fixed printing roller.

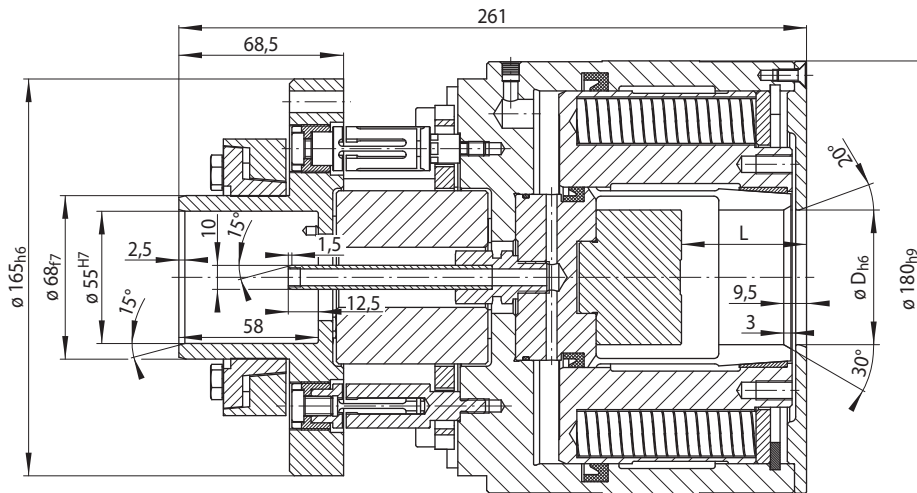


## Advantages

- For rapid changes and precise clamping of printing rollers in printing presses in gravure and flexographic printing
- Reduces setup costs and facilitates flexible production with short cycle times
- Reliable slip-free drive power transmission
- Balanced, thus smoother running at high speeds

# Clamping Clutches SKDZ

for printing rollers in printing presses  
spring activated - pneumatically released



57-1

Type	Clamping range D		$\Delta D$	Insertion depth L		Transmissible torque	Transmissible axial force	Necessary release pressure
	min. mm	max. mm		min. mm	max. mm			
SKDZ 10	40	60	0,7	47	62	280	$\pm 4000$	15
SKDZ 20	> 60	70	0,7	47	62	280	$\pm 8000$	15

## Example for ordering

Please indicate the size of your Clamping Clutch, the clamping diameter of your printing roller, including tolerance, and the insertion depth L in your order:

Size: SKDZ 10  
Clamping diameter: 50 mm  
Tolerance: h6  
Insertion depth: 45 mm

➔ SKDZ 10-50h6-45

## Maximum speed in rpm

Clamping Clutches may be used up to a max. speed of 1000 min<sup>-1</sup>.

## Hydraulically released

Other Clamping Clutches, e.g. with hydraulically released, are available upon request.