

# Brake Caliper DT 200 FEM ... NC

spring activated – electrohydraulically released  
Drum Brake according to DIN 15 435



Features	Code
Brake Caliper	D
Drum Brake	T
Frame size 200	200
Spring activated	F
Electrohydraulically released	E
Manual adjustment to accommodate friction block wear	M
Thrustors 451 or 452 are available	451 452
Material: cast	NC

### Example for ordering

Brake Caliper DT 200 FEM, thrustor 452, material: cast

DT 200 FEM - 452 - NC

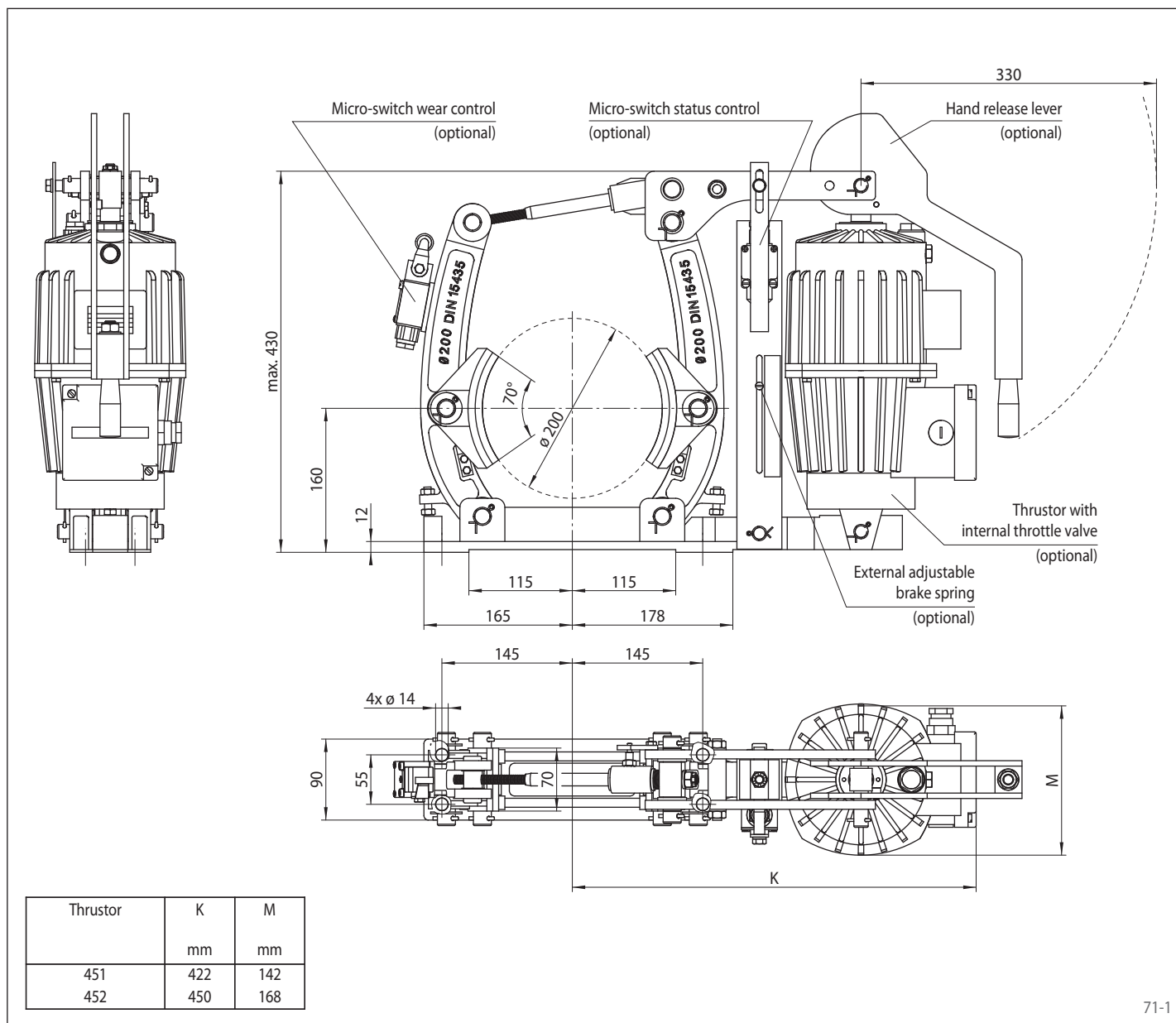
## Technical Data

	Brake Caliper DT 200 FEM ... NC	
	with thrustor 451	with thrustor 452
Brake drum diameter	Braking torque	Braking torque
mm	Nm	Nm
200	230	310
Clamping force	2875 N	3875 N
Braking torque adjustable (optional)	20 - 100%	20 - 100%
Nominal power	130 W	180 W
Oil volume	1,4l	2,5l
Voltage	230/400 V	230/400 V
Weight	26 kg	31 kg

The braking torques shown in the table are based on a theoretical friction coefficient of 0,4.

# Brake Caliper DT 200 FEM ... NC

spring activated – electrohydraulically released  
Drum Brake according to DIN 15 435



71-1

## Options

- External adjustable brake spring
- Micro-switch wear control
- Micro-switch status control
- Hand release lever
- Thrustor with internal throttle valve
- Thrustor in heat resistant design
- Corrosion protected design
- Wider brake shoes and brake drums